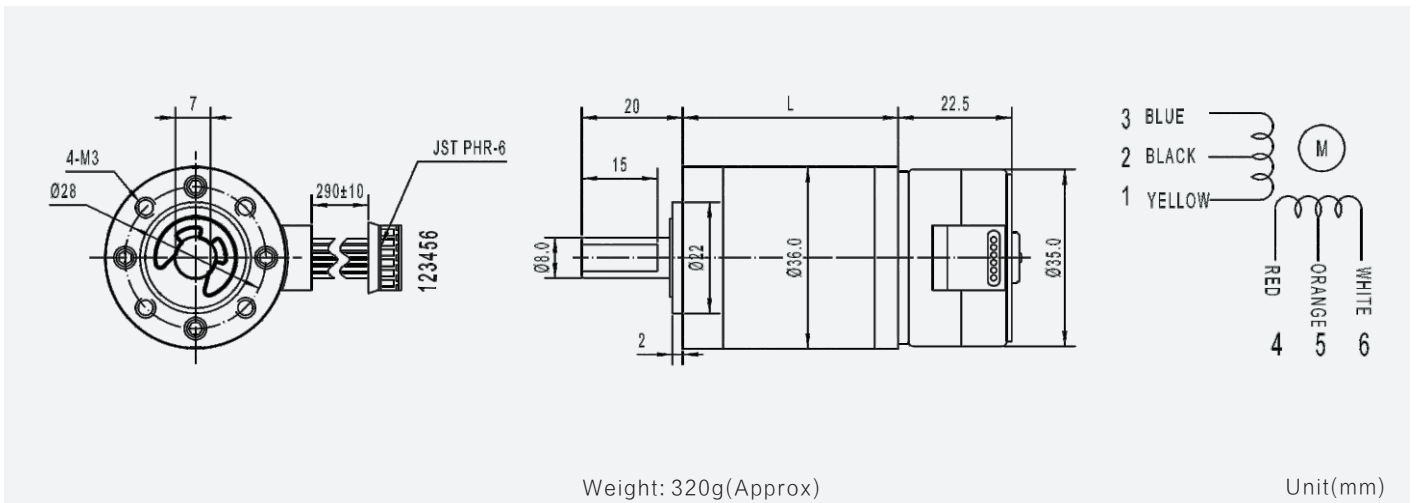


GMP36-35BY

36mm planetary gearbox plus 35mm stepper motor



Module	0.5			
Rated torque (kg.cm)	30.0 kg.cm max			
Max momentary tolerance torque (kg.cm)	60.0 kg.cm max			
Reduction ratio	1/4	1/14 1/19 1/27	1/51, 1/71 1/100, 1/139	1/189, 1/264 1/369, 1/516 1/720
Number of gear stages	1	2	3	4
L (mm)	26	33.5	40.5	47.5



Motor Technical Data

Motor model	Rated voltage	No. of phase	Step angle	Resistance	Current	Inductance	Detent torque	Holding torque	Pull in rate
	VDC								
TS-35BY-001	12.0	4	7.5°	60	200		60	130	350

