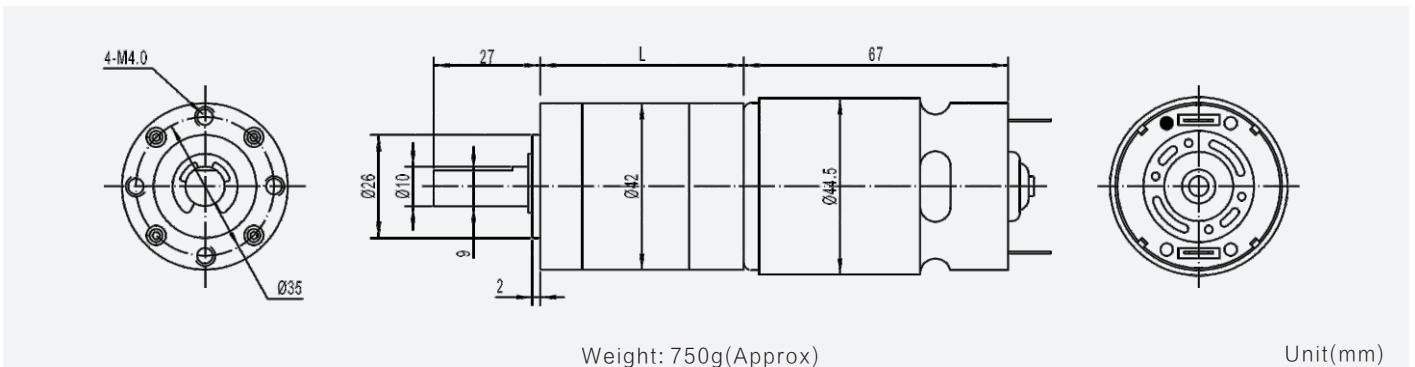


GMP42-775PM

42mm planetary gearbox plus 775 permanent magnet DC motor



Module	0.6			
Rated torque (kg.cm)	60.0 kg.cm max			
Max momentary tolerance torque (kg.cm)	120.0 kg.cm max			
Reduction ratio	1/4	1/14 1/19 1/27	1/51, 1/71 1/100, 1/139	1/189, 1/264 1/369, 1/516 1/720
Number of gear stages	1	2	3	4
L (mm)	31.5	42	52	62



Gear Motor Technical Data

Reduction ratio		4	19	51	100	139	189	264	369	516	720
12.0V	No-load speed(rpm)	1100	220	85	44	32	24	17	12	9	6
	Rated speed(rpm)	870	185	70	35	25	19	14	11	8	5
	Rated torque(kg.cm)	2.8	13	26	50	60	60	60	60	60	60
24.0V	No-load speed(rpm)	1400	295	110	58	42	32	23	16	12	6
	Rated speed(rpm)	1130	235	90	45	32	24	18	14	11	5
	Rated torque(kg.cm)	2.8	13	26	50	60	60	60	60	60	60

Motor Technical Data

Motor model	Rated voltage	No-load		Rated			Stall		
		Speed	Current	Speed	Torque	Current	Power	Torque	Current
	VDC	r/min	mA	r/min	g.cm	mA	W	g.cm	A
TRS-775PM-1246	12.0	4600	600	3470	900	4400	32	3600	16
TRS-775PM-2460	24.0	6000	300	4500	900	2200	40	3600	7.5

