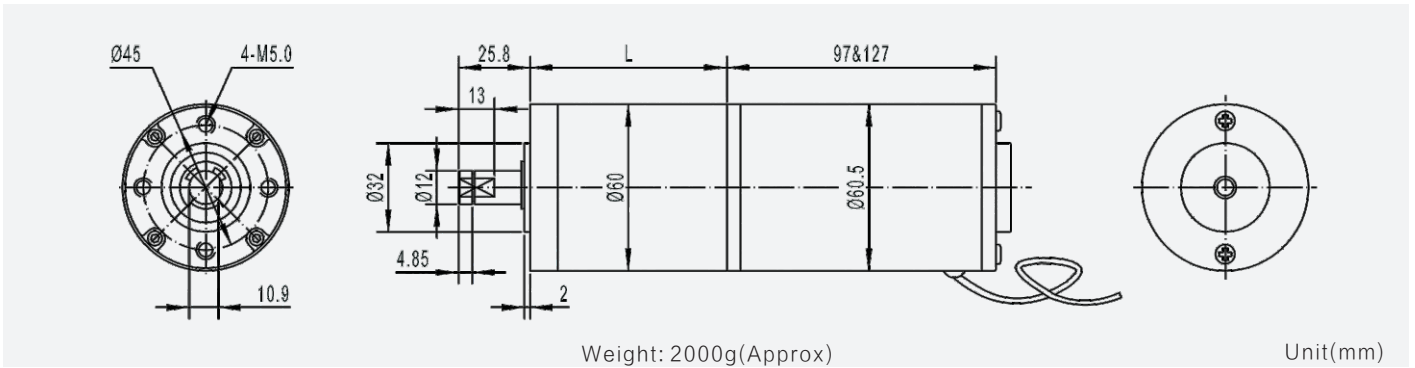


GMP60-6097/60127

60mm planetary gearbox plus 60mm DC motor



Module	1.0			
Rated torque (kg.cm)	200 kg.cm max			
Max momentary tolerance torque (kg.cm)	400 kg.cm max			
Reduction ratio	1/4	1/13 1/15 1/18	1/47, 1/55 1/65, 1/77	1/168, 1/198 1/234, 1/276 1/326
Number of gear stages	1	2	3	4
L (mm)	36	48	59	70



Gear Motor Technical Data

	Reduction ratio	4	13	18	47	55	77	168	198	326
		24.0V	No-load speed(rpm)	690	190	140	53	45	32	15
	Rated speed(rpm)	550	150	110	42	36	26	12	10	6
	Rated torque(kg.cm)	5	15	21	50	55	80	150	180	200
24.0V	No-load speed(rpm)	1660	460	330	95	110	78	35	30	18
	Rated speed(rpm)	1250	350	250	70	80	58	25	22	15
	Rated torque(kg.cm)	10	30	42	100	110	160	200	200	200

Motor Technical Data

Motor model	Rated voltage	No-load		Rated			Stall		
		Speed	Current	Speed	Torque	Current	Power	Torque	Current
		r/min	mA	r/min	g.cm	mA	W	g.cm	A
TRK-6097-2425	24.0	2500	250	2000	1500	1800	30	7500	8.0
TRK-60127-2460	24.0	6000	750	4500	3000	8200	138	12000	31

