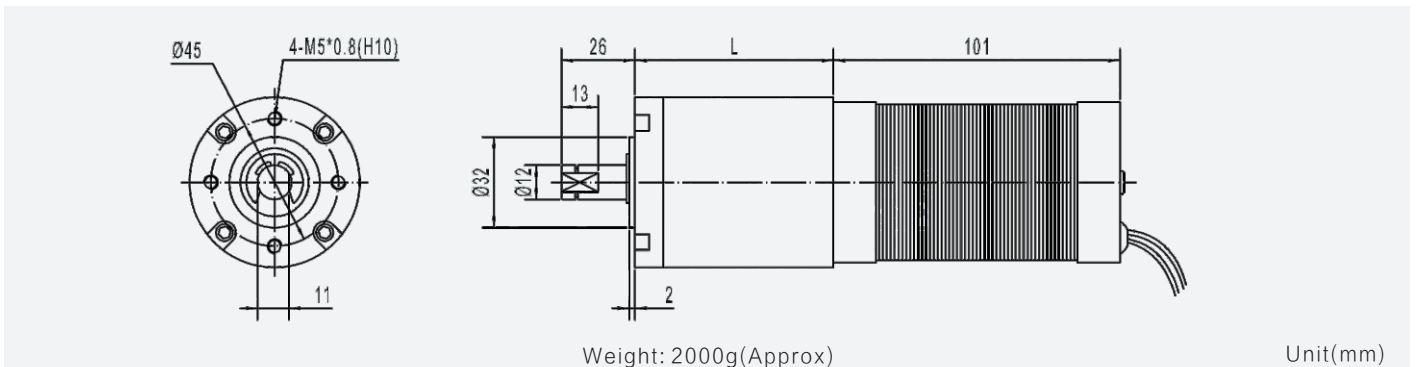


# GMP60-TEC56100

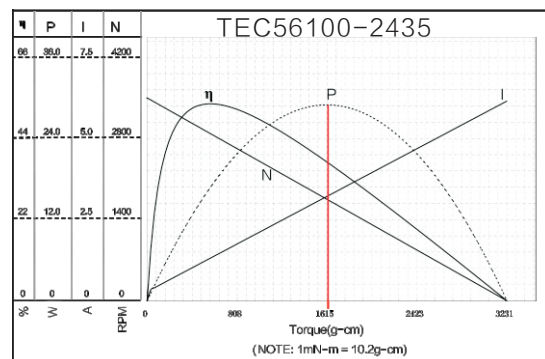
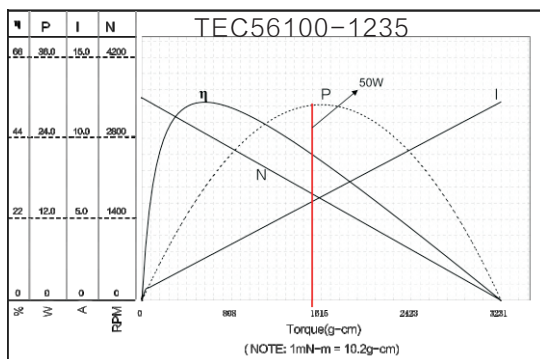
60mm planetary gearbox plus 60mm brushless motor

|  |               |                      |                        |                                     |
|--|---------------|----------------------|------------------------|-------------------------------------|
| Module                                 | 1.0           |                      |                        |                                     |
| Rated torque (kg.cm)                   | 200 kg.cm max |                      |                        |                                     |
| Max momentary tolerance torque (kg.cm) | 400 kg.cm max |                      |                        |                                     |
| Reduction ratio                        | 1/4           | 1/13<br>1/15<br>1/18 | 1/47、1/55<br>1/65、1/77 | 1/168、1/198<br>1/234、1/276<br>1/326 |
| Number of gear stages                  | 1             | 2                    | 3                      | 4                                   |
| L (mm)                                 | 36            | 48                   | 59                     | 70                                  |



| Gear Motor Technical Data |                     | 4   | 13  | 18  | 47 | 55 | 77 | 168 | 198 | 326 |
|---------------------------|---------------------|-----|-----|-----|----|----|----|-----|-----|-----|
| 12.0V                     | Reduction ratio     | 4   | 13  | 18  | 47 | 55 | 77 | 168 | 198 | 326 |
|                           | No-load speed(rpm)  | 870 | 260 | 190 | 72 | 62 | 45 | 20  | 18  | 11  |
|                           | Rated speed(rpm)    | 760 | 230 | 170 | 65 | 55 | 40 | 18  | 15  | 9   |
| 24.0V                     | No-load speed(rpm)  | 870 | 260 | 190 | 72 | 62 | 45 | 20  | 18  | 11  |
|                           | Rated speed(rpm)    | 760 | 230 | 170 | 65 | 55 | 40 | 18  | 15  | 9   |
|                           | Rated torque(kg.cm) | 1.4 | 4.2 | 5.8 | 14 | 16 | 23 | 47  | 55  | 90  |

| Motor model   | Rated voltage | No-load |         | Rated |        |         | Stall |        |         |
|---------------|---------------|---------|---------|-------|--------|---------|-------|--------|---------|
|               |               | Speed   | Current | Speed | Torque | Current | Power | Torque | Current |
|               | VDC           | r/min   | mA      | r/min | g.cm   | mA      | W     | g.cm   | A       |
| TEC56100-1235 | 12.0          | 3500    | 600     | 3050  | 400    | 1900    | 12.5  | 3200   | 4.5     |
| TEC56100-2435 | 24.0          | 3500    | 300     | 3050  | 400    | 1000    | 12.5  | 3200   | 4.5     |



NOTE: the left side of red line area can continuous work