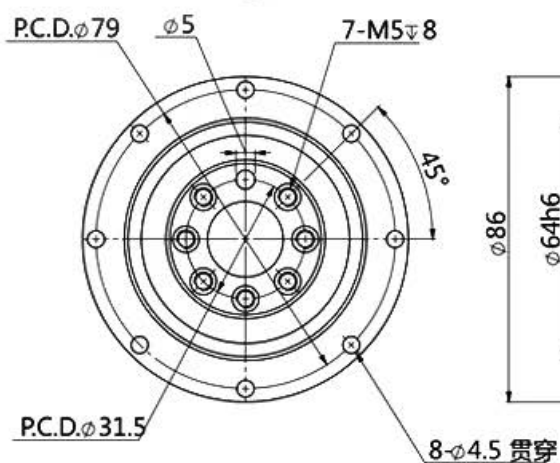


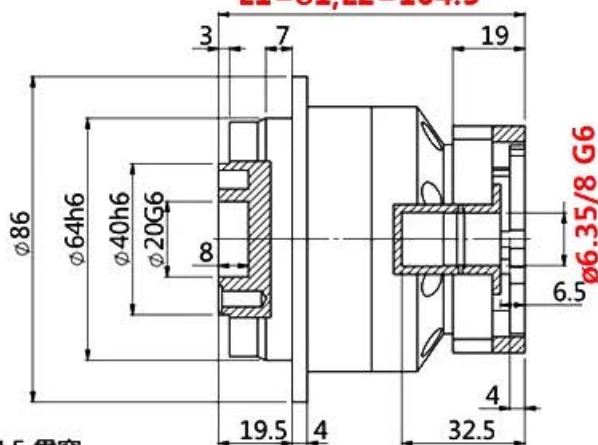
6.35mm/8mm Input for Nema23 57mm Flange Stepper Motor

PLX060

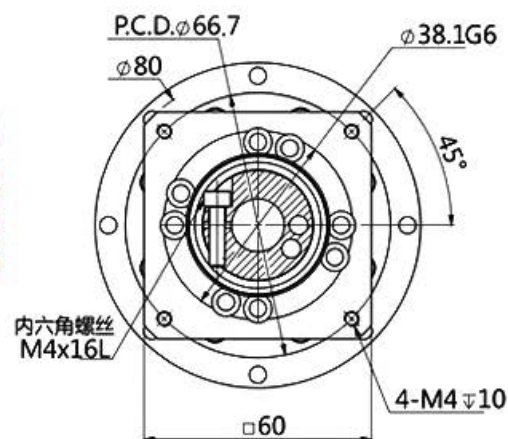
Output



$L1=81, L2=104.5$

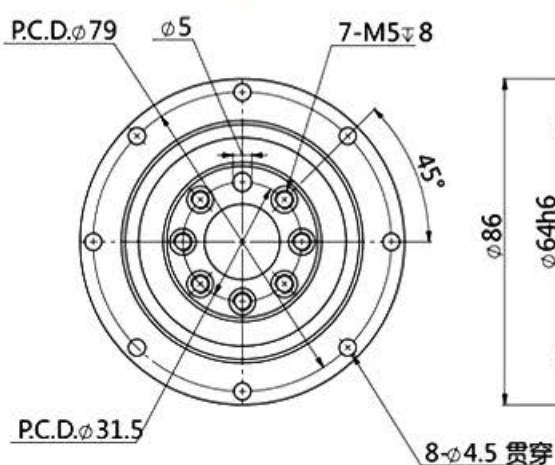


Input

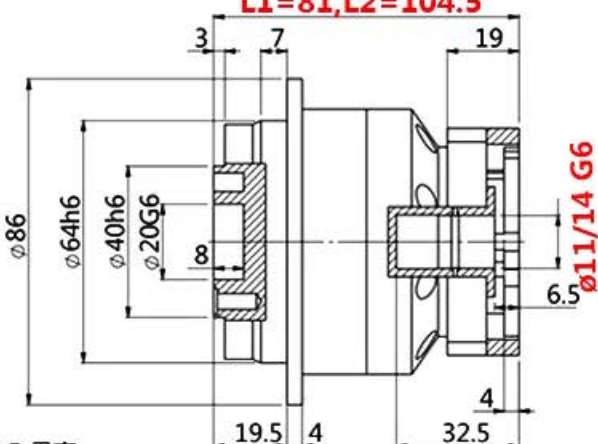


11/14mm Input for 60mm Flange Servo Motor

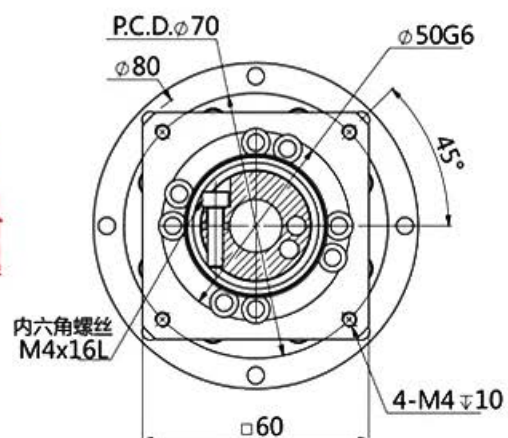
Output



$L1=81, L2=104.5$



Input



BACKLASH

**Less than 3 Arcmin (L1)
Less than 5 Arcmin (L2)**



FLANGE OUTPUT

60mm~120mm Flange

