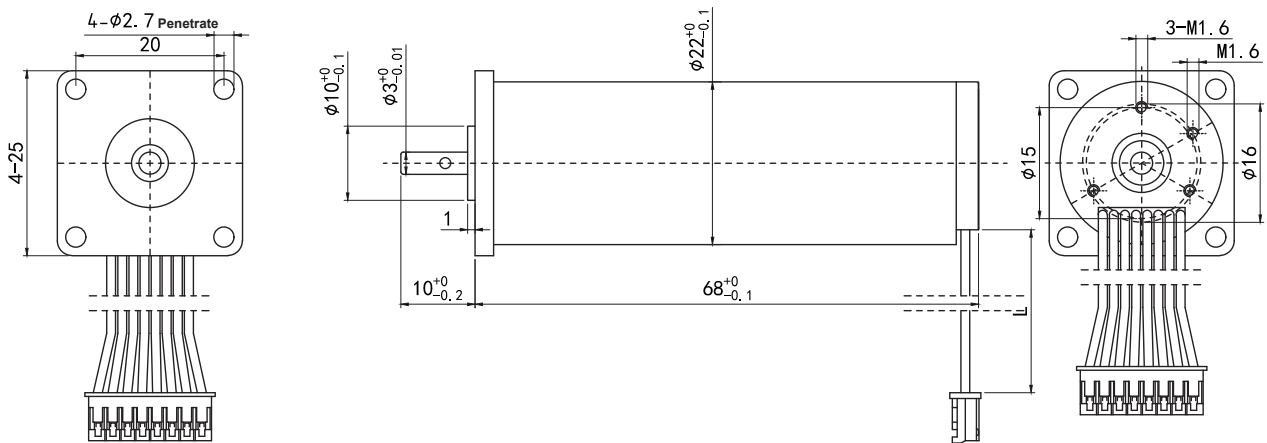


# TBC2266 (Can be made into 4Pole motor)

22mm brushless motor

Power	118.5W (External Drive)
	/
Life Expectancy	~ 10000H (Ball Bearing)
	/



Weight:230(Approx)

Unit(mm)

**Motor Technical Data**

Motor model	Rated voltage VDC	No-load		Rated				Stall	
		Speed r/min	Current mA	Speed r/min	Torque g.cm	Current mA	Power W	Torque g.cm	Current A
TBC2266GH	12	11500	240	9775	621	6500	62.3	4140	42
TBC2266GH	24	15600	251	13260	871	6200	118.5	5807	40

