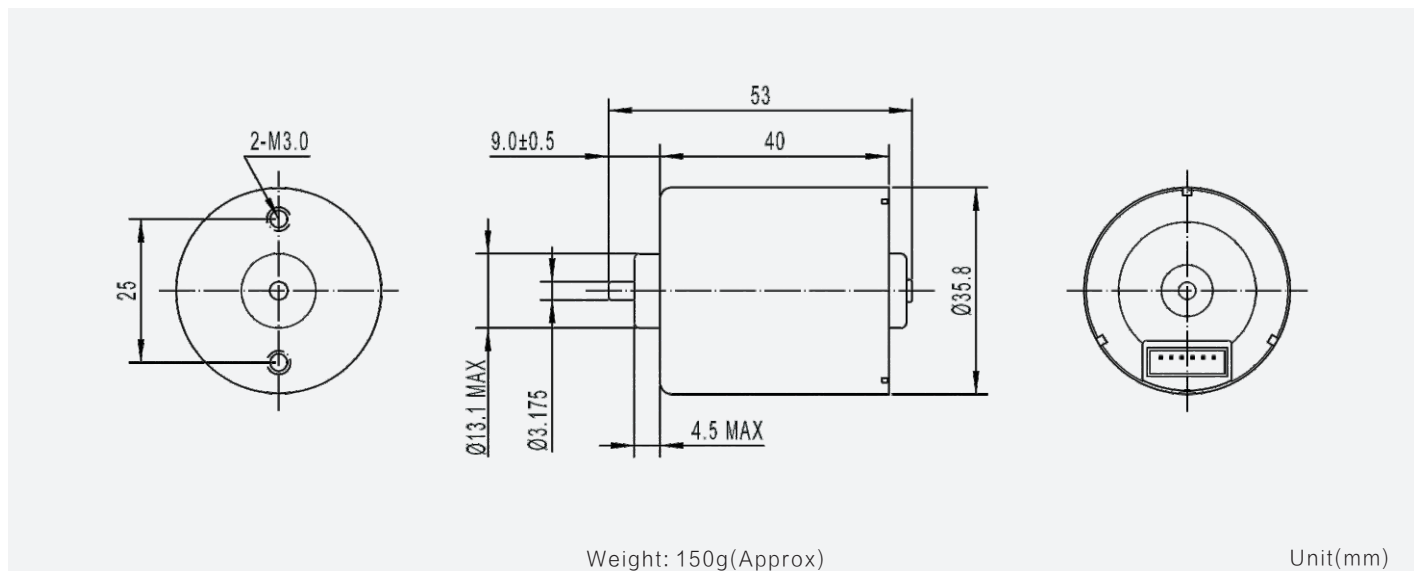


TEC3640

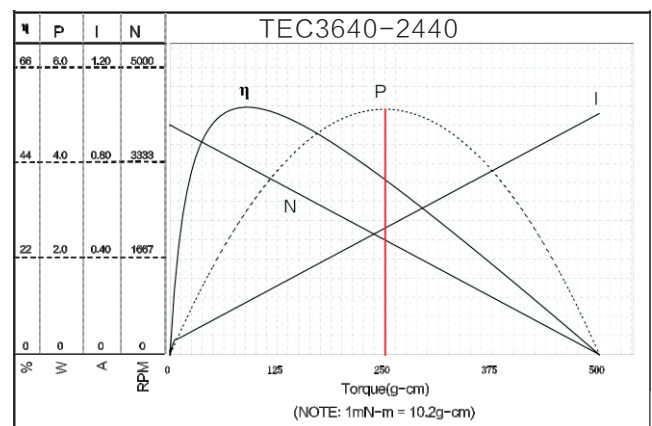
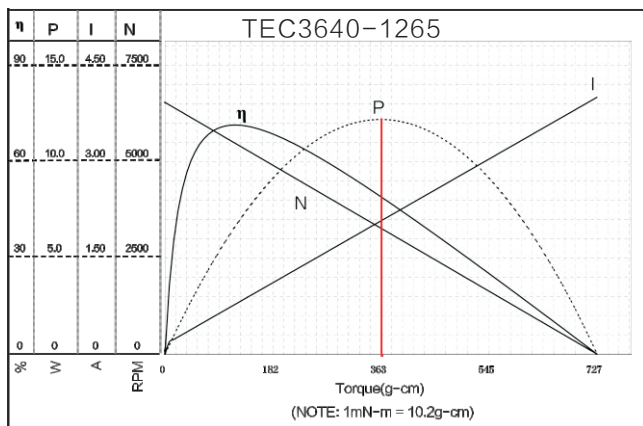
36mm brushless motor

Connection Mode B & C	
Clockwise Rotation/Counter Clockwise Rotation	
FG Signal	
PWM Control	
Locked Rotor Protection	
Power	18W(Internal Drive) /
Life Expectancy	~3000H(Oil Bearing) ~5000H(Ball Bearing)



Motor Technical Data

Motor model	Rated voltage	No-load		Rated				Stall	
		Speed	Current	Speed	Torque	Current	Power	Torque	Current
	VDC	r/min	mA	r/min	g.cm	mA	W	g.cm	A
TEC3640-1265	12.0	6500	150	5600	100	700	5.7	720	4.0
TEC3640-2440	24.0	4000	60	3200	100	250	3.3	500	1.0



NOTE: the left side of red line area can continuous work