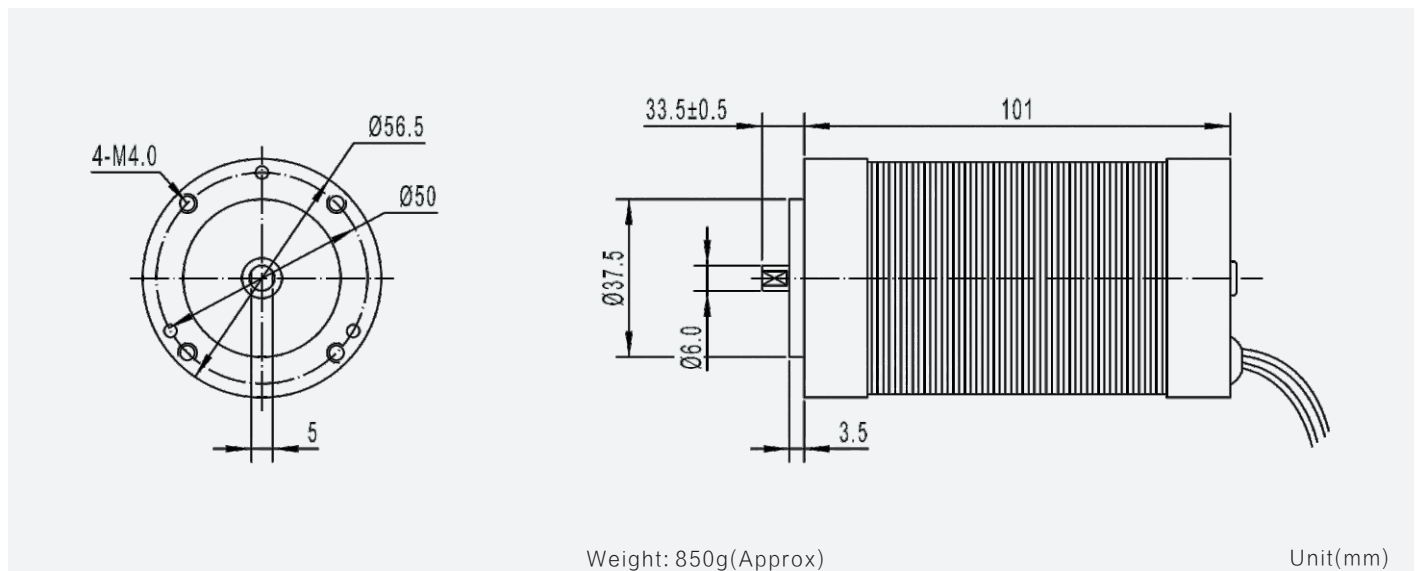


TEC56100

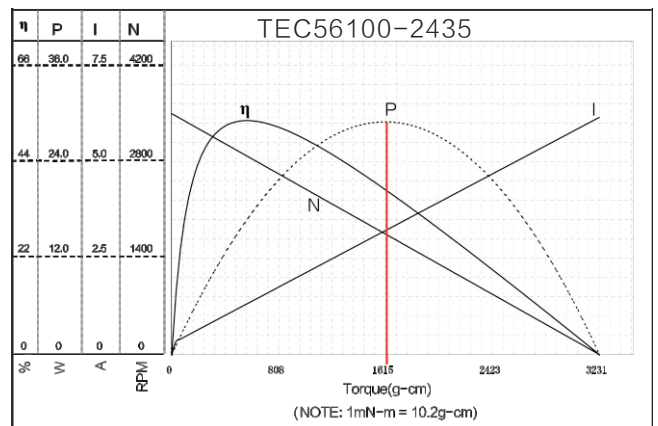
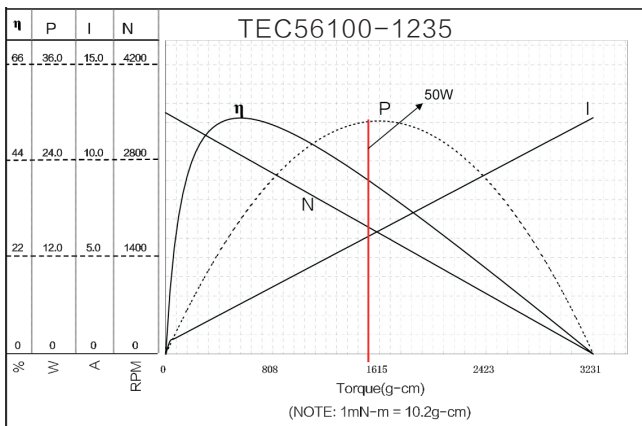
56mm brushless motor

Connection Mode B & C	
Clockwise Rotation/Counter Clockwise Rotation	
FG Signal	
PWM Control	
Locked Rotor Protection	
Power	/ 50W(External Drive)
Life Expectancy	/ ~5000H(Ball Bearing)



Motor Technical Data

Motor model	Rated voltage	No-load		Rated				Stall	
		Speed	Current	Speed	Torque	Current	Power	Torque	Current
	VDC	r/min	mA	r/min	g.cm	mA	W	g.cm	A
TEC56100-1235	12.0	3500	600	3050	400	1900	12.5	3200	4.5
TEC56100-2435	24.0	3500	300	3050	400	1000	12.5	3200	4.5



NOTE: the left side of red line area can continuous work