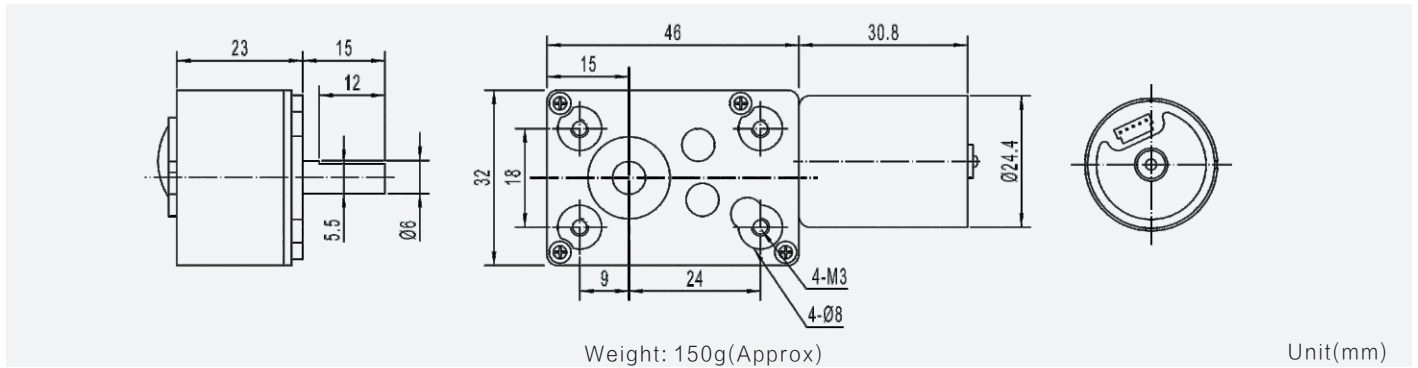
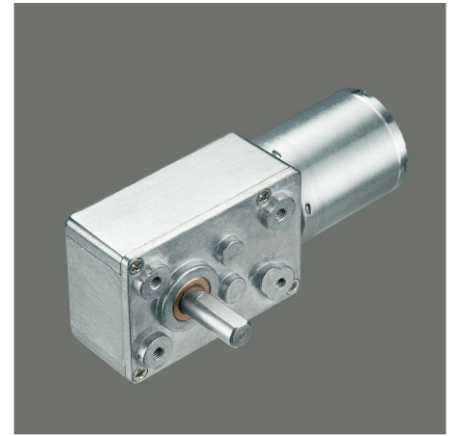


# TWG3246-TEC2430 32×46mm worm gearbox plus 24mm brushless motor

Module	0.5/0.6		
Rated torque (kg.cm)	8.0 kg.cm max		
Max momentary tolerance torque (kg.cm)	15.0 kg.cm max		
Reduction ratio	1/70、1/146 1/188、1/233 1/300	1/483、1/563 1/700、1/900	1/1020、1/1313 1/1688、1/2100 1/2700
Number of gear stages	3	4	5
Gearbox length L (mm)	46.0		

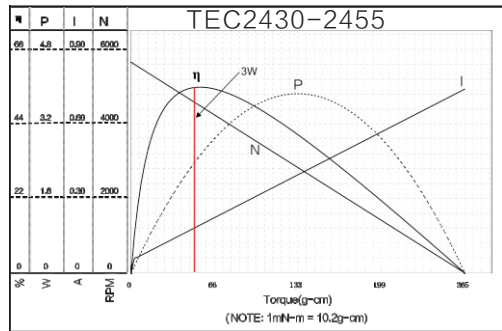
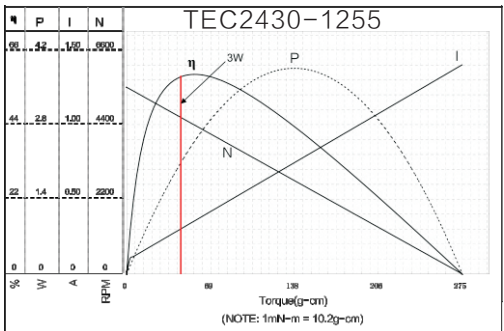


## Gear Motor Technical Data

Reduction ratio		146	188	300	438	563	700	900	1020	1313	1688
12.0V	No-load speed(rpm)	35	29	18	12	10	8	6	5	4	3
	Rated speed(rpm)	30	24	15	10	9	7	5	4	4	3
	Rated torque(kg.cm)	5.0	6.0	8.0	8.0	8.0	8.0	8.0	8.0	8.0	8.0
24.0V	No-load speed(rpm)	35	29	18	12	10	8	6	5	4	3
	Rated speed(rpm)	30	24	15	10	9	7	5	4	4	3
	Rated torque(kg.cm)	5.0	6.0	8.0	8.0	8.0	8.0	8.0	8.0	8.0	8.0

## Motor Technical Data

Motor model	Rated voltage	No-load		Rated			Stall		
		Speed	Current	Speed	Torque	Current	Power	Torque	Current
	VDC	r/min	mA	r/min	g.cm	mA	W	g.cm	A
TEC2430-1255	12.0	5500	50	4500	50	330	2.7	275	0.80
TEC2430-2455	24.0	5500	90	4500	50	180	2.7	275	0.75



NOTE: the left side of red line area can continuous work